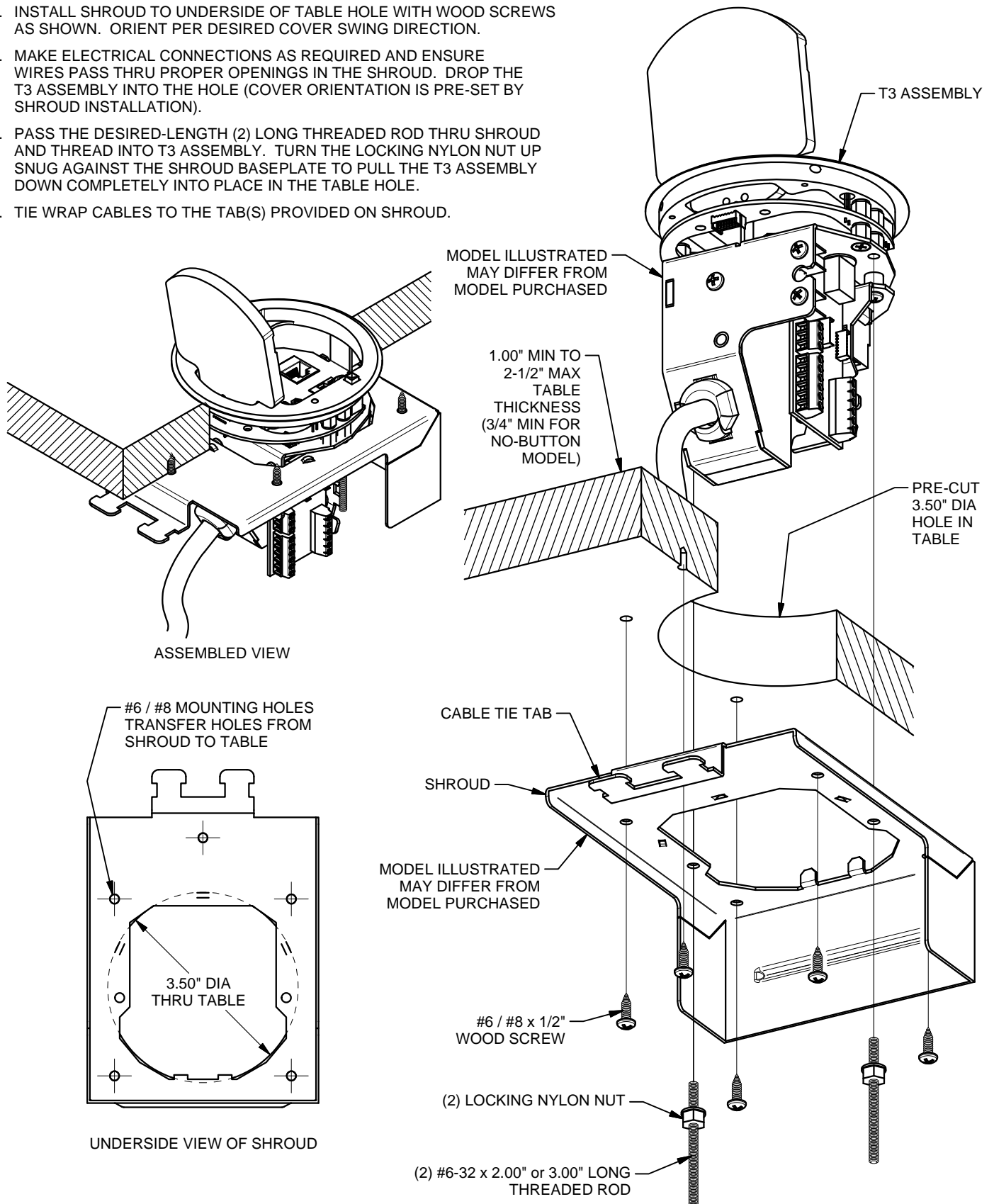
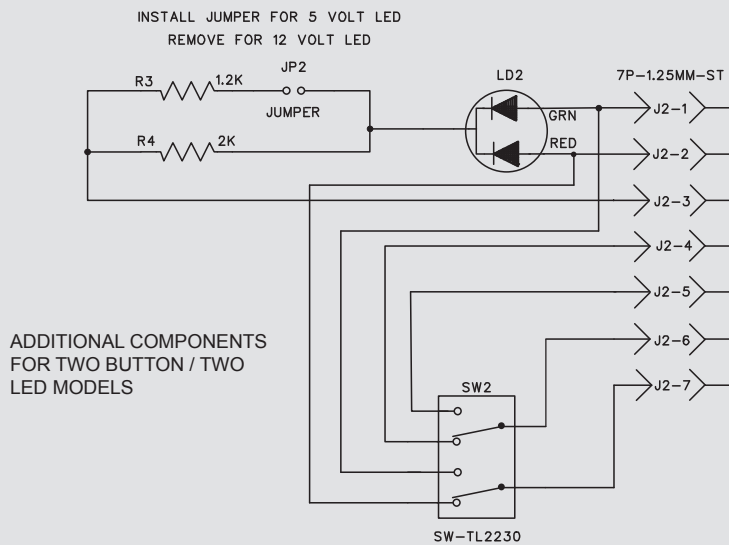
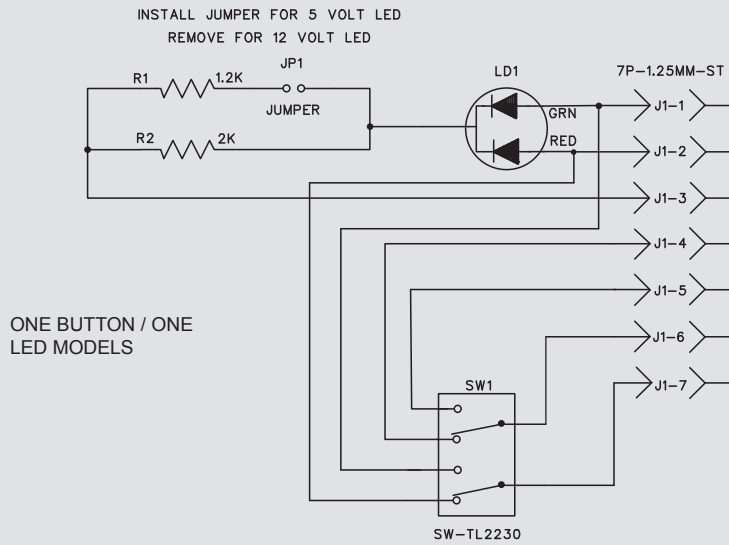


1. INSTALL SHROUD TO UNDERSIDE OF TABLE HOLE WITH WOOD SCREWS AS SHOWN. ORIENT PER DESIRED COVER SWING DIRECTION.
2. MAKE ELECTRICAL CONNECTIONS AS REQUIRED AND ENSURE WIRES PASS THRU PROPER OPENINGS IN THE SHROUD. DROP THE T3 ASSEMBLY INTO THE HOLE (COVER ORIENTATION IS PRE-SET BY SHROUD INSTALLATION).
3. PASS THE DESIRED-LENGTH (2) LONG THREADED ROD THRU SHROUD AND THREAD INTO T3 ASSEMBLY. TURN THE LOCKING NYLON NUT UP SNUG AGAINST THE SHROUD BASEPLATE TO PULL THE T3 ASSEMBLY DOWN COMPLETELY INTO PLACE IN THE TABLE HOLE.
4. TIE WRAP CABLES TO THE TAB(S) PROVIDED ON SHROUD.



T3-PC1D / T3DV2S TABLE BOX WIRING PINOUT FOR ONE AND TWO BUTTON / LED MODELS

SWITCH / LED PC BOARD



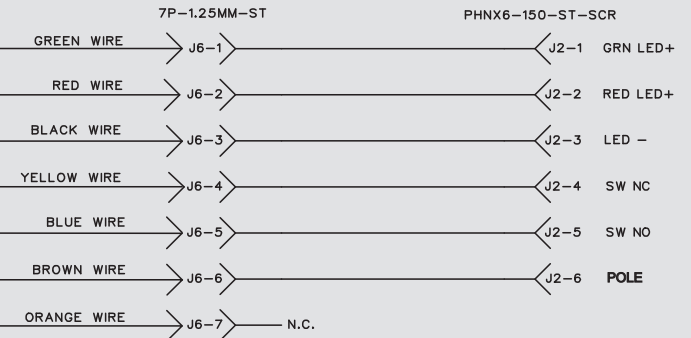
INTERCONNECT PC BOARD

AUDIO (T3-PC1D ONLY)
3.5MM-STEREO-LP

CAPTIVE SCREW TERMINALS



RIGHT SW / LED



LEFT SW / LED

